

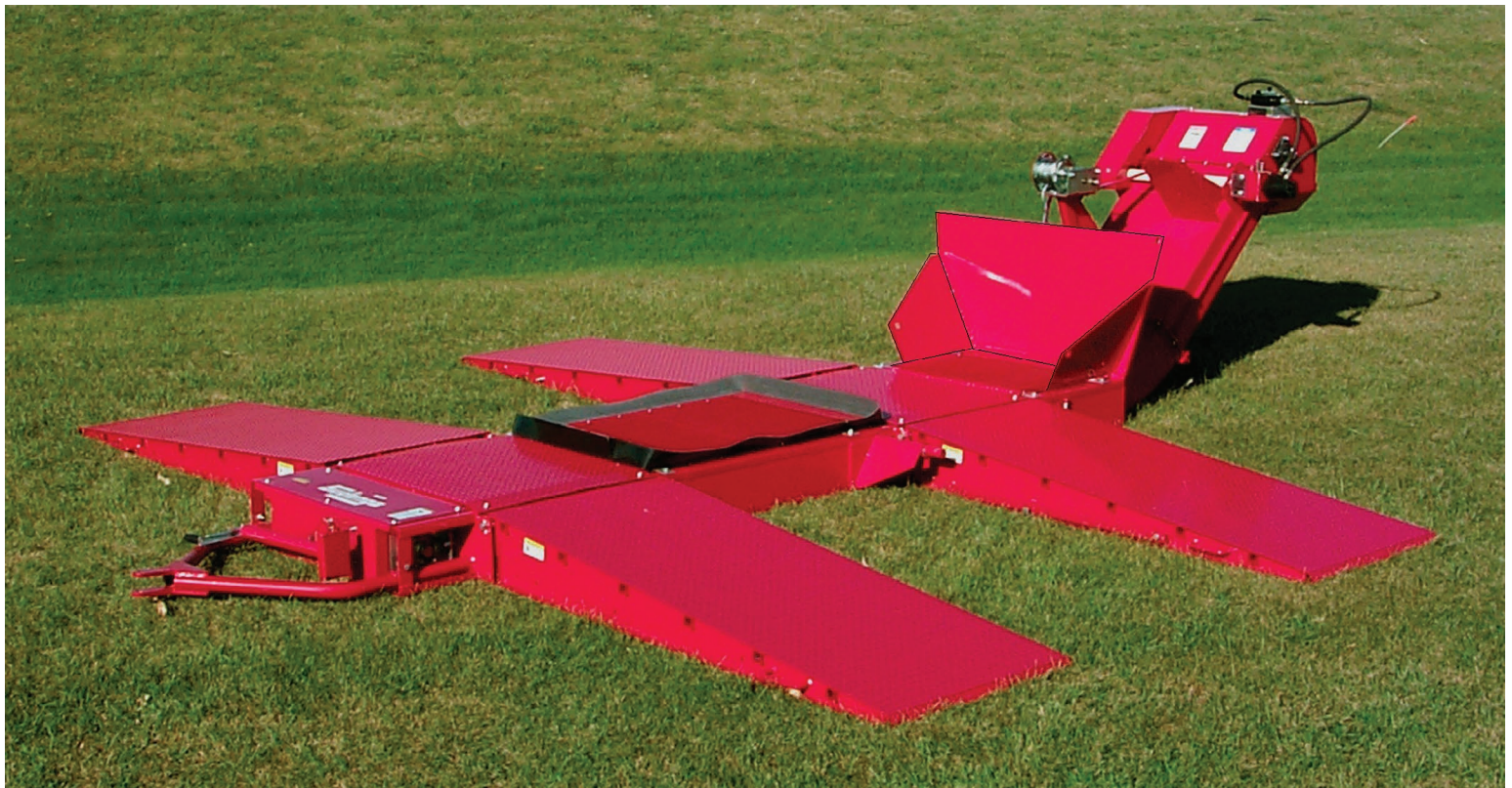
Portable Drive Over Hoppers give you fast, convenient unloading to portable augers, elevator legs, etc. This low profile chain conveyor moves grain at 3500, 5000 or 7000 BPH. The conveyor is designed for center or side discharge from trucks or wagons. Electric or hydraulic power is available.

Set-up is easy - just position the Hopper, remove the tires, lower the ramps, and engage the power. A spring-assist helps raise and lower the ramps.

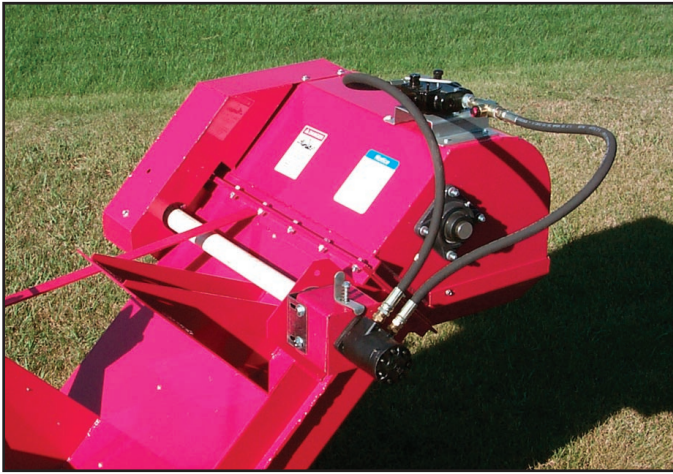


- **Portable unloading to elevator legs, portable augers, etc.**
- **Handles 3500, 5000, or 7000 bushel per hour.**
- **Electric or hydraulic drive.**
- **Center unloading for trucks; side unloading for wagons.**

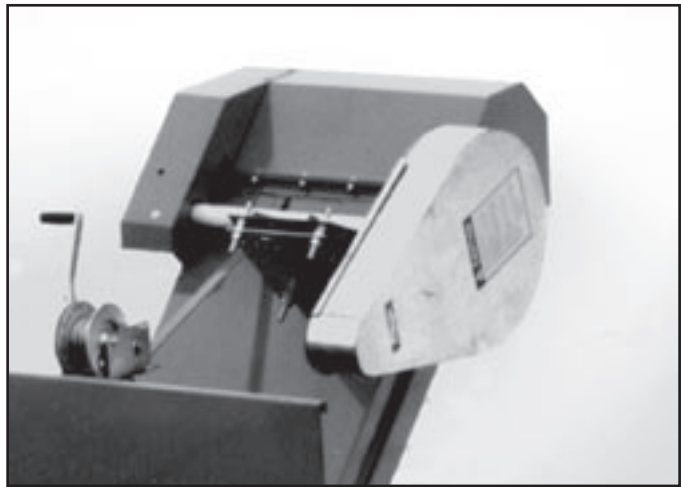
**MADE IN
USA**



Portable Drive Over Hopper



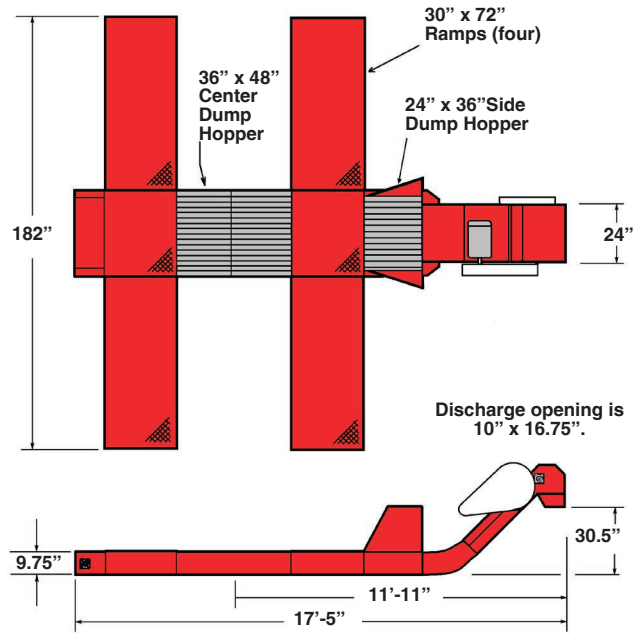
Hydraulic Drive uses Char-Lynn "H" Series 6.2 CID motors with quick mount/dismount. An optional Speed Control Valve (shown) allows Hopper take-away capacities to be matched to the auger or elevator leg being fed. Tractor-to-valve hoses are not included.



Electric Drive has three capacities - 3500 BPH (3 HP), 5000 BPH (5 HP), and 7000 BPH (5 HP). Belt guards and shaft covers are included.



Drive Over Hoppers have a 36" x 48" center dump for trucks and trailers, and a 24" x 36" side dump for gravity wagons. The side dump has a folding hopper that covers the grate when in the down position.



Specifications & Options

- 10 ga. construction.
- D81X Chain with reinforced UHMW paddles.
- 9.75" overall deck height.
- Rubber Belting around center dump opening.
- Discharge Spout with 10" x 16.75" opening.
- Separate gravity wagon Intake with fold-up cover to make hopper.

Distributed By:

- Spring assist for raising and lowering Ramps.
- Self contained Winch raises Hopper to transport position.
- Jackshaft Double Reduction on Electric Drive.
- Removable Hitch.
- Transport (with winch) for easy portability.
- Optional Hitch Jack.

SUDENGA INDUSTRIES, INC.

Box 8 • 2002 Kingbird Ave. • George, IA 51237 USA
1-888-SUDENGA (783-3642) • 1-712-475-3301
Fax: 1-712-475-3320 • E-mail: sales@sudenga.com • www.sudenga.com